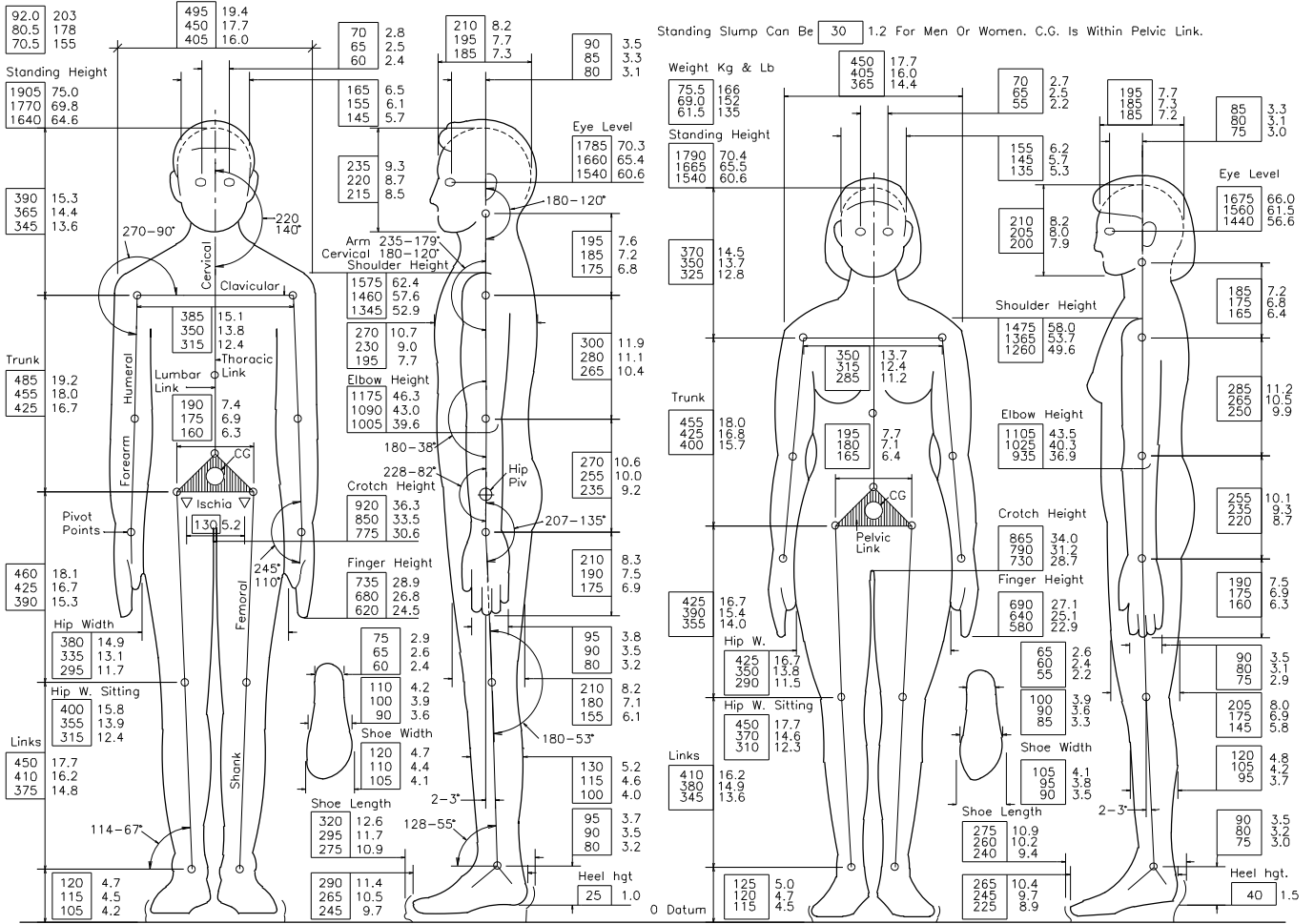


Weight Kg & Lb (Includes Avg. Clothes). Data Are For Load Computations, Not Health Purposes.



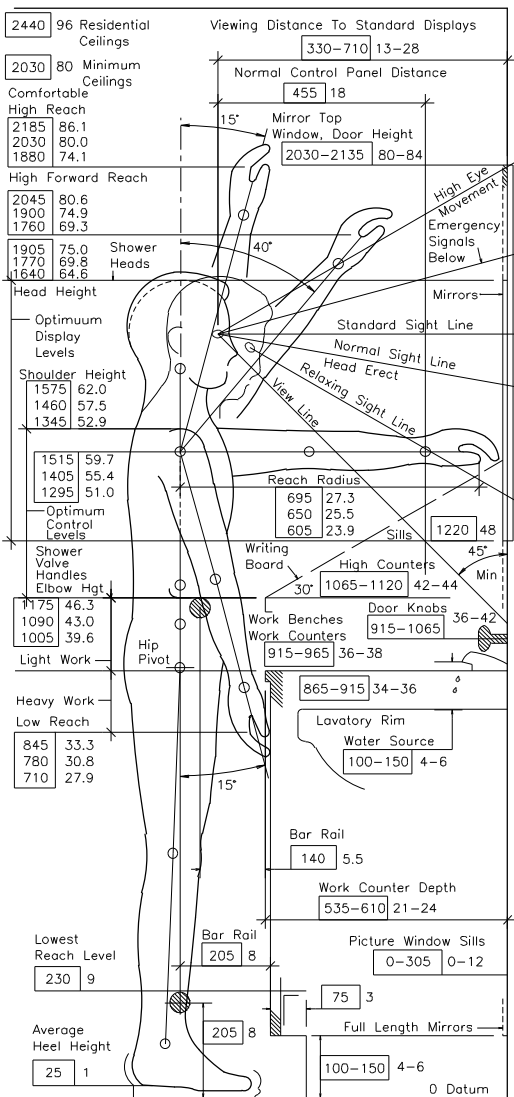
Male and female standing heights (including shoes):

| | | | |
|------|------|------|------------------------------|
| 1905 | 75.0 | 1790 | 70.4 large = 97.5 percentile |
| 1775 | 69.8 | 1665 | 65.5 average = 50 percentile |
| 1640 | 64.6 | 1540 | 60.6 small = 2.5 percentile |

includes 95% U.S. adults

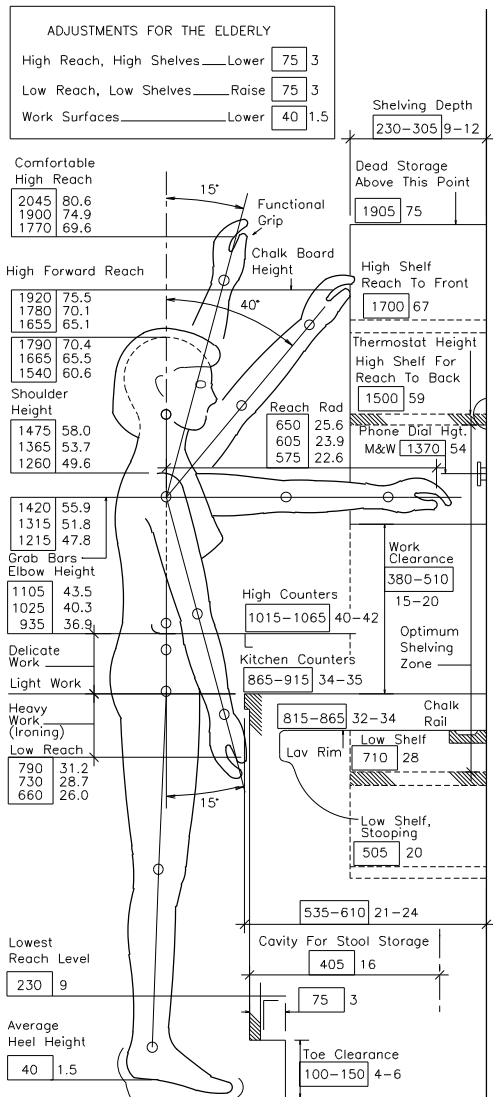
Dimensional notation system:

| | | |
|------|------|---|
| 1000 | 39.3 | Numbers appearing in boxes are measurements |
| 100 | 3.9 | in millimeters. Numbers outside boxes are |
| 25.4 | 1.0 | measurements in inches. |



STANDING HEIGHT STDS.
COMBINED ADULT SEX

| | | |
|------|-----|--|
| 2440 | 96 | Residential Ceiling |
| 2135 | 84 | Office Doors |
| 2030 | 80 | Residential Doors |
| 1980 | 78 | Min. Ceiling, Chandeliers |
| 1905 | 75 | Min. Door Hgt. Shower Head (Max.) |
| 1880 | 74 | Highest Head Top |
| 1830 | 72 | Clothes Line (Max.) |
| 1830 | 72 | No See Over Hat Hooks (Max.) |
| 1780 | 70 | Highest Shelf (Men) Shower Head Clear (Min.) |
| 1730 | 68 | Rail For Evening Dresses Top Of Mirror Highest Shelf (Women) |
| 1600 | 63 | Catwalk Head Clear (Min.) |
| 1575 | 62 | Avg. Adult Eye Level |
| 1475 | 58 | Thermostats |
| 1395 | 55 | See Over |
| 1370 | 54 | Grab Bars Phone Dial Hgt. |
| 1320 | 52 | Highest File |
| 1270 | 50 | Door Push Plates Shower Valves |
| 1220 | 48 | Wall Switch Plate Deal Plate |
| 1145 | 45 | Push Bar On Doors |
| 1120 | 44 | Bar (Hi) |
| 1065 | 42 | Counters, Doorknob (Max.) Safety Handrails, Bars |
| 1015 | 40 | Entrance Lock (Max.) Ironing Board (Hi) |
| 915 | 36 | Handrails, Ironing Board (Hi) Counters, Doorknob (Min.) |
| 840 | 33 | Panic Bars |
| 790 | 31 | Lavatory Rim |
| 760 | 30 | Letter Slot, Rails On Steps |
| 760 | 30 | Ironing Board (Lo) |
| 455 | 18 | Wall Outlets |
| 405 | 16 | Highest Step |
| 305 | 12 | Rung Spacing |
| 205 | 8 | Bar Rails |
| 190 | 7.5 | Stair Riser (Opt.) |
| 150 | 6 | Toe Space (Max.) |
| 75 | 3 | Toe Clear (Min.) |
| 25 | 1 | Threshold (Max.) |

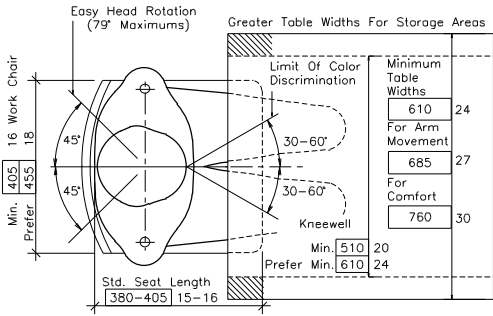


Male and female standing heights (including shoes):

| | | | | | |
|------|------|------|------|-------------------------|--------------------------|
| 1905 | 75.0 | 1790 | 70.4 | large = 97.5 percentile | includes 95% U.S. adults |
| 1775 | 69.8 | 1665 | 65.5 | average = 50 percentile | |
| 1640 | 64.6 | 1540 | 60.6 | small = 2.5 percentile | |

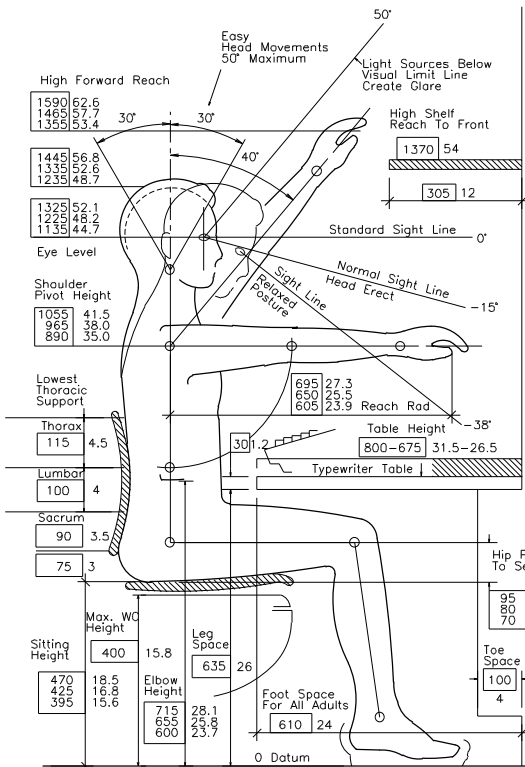
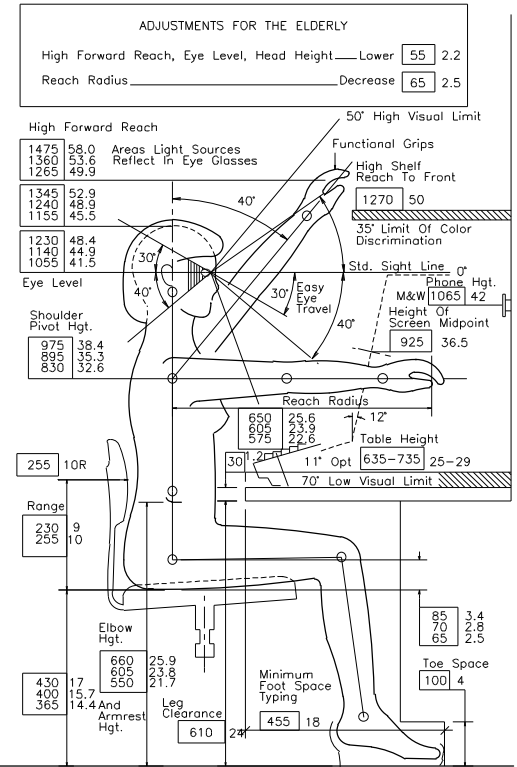
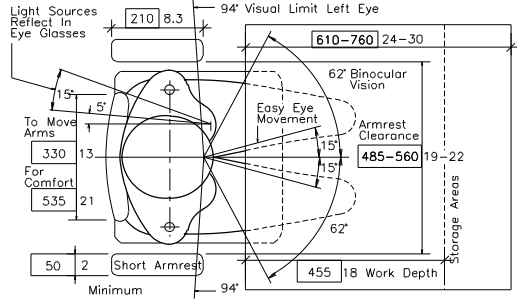
Dimensional notation system

| | | |
|------|------|---|
| 1000 | 39.3 | Numbers appearing in boxes are measurements in millimeters. Numbers outside boxes are measurements in inches. |
| 100 | 3.9 | |
| 25.4 | 1.0 | |



SITTING HEIGHT STDS. COMBINED ADULT SEX

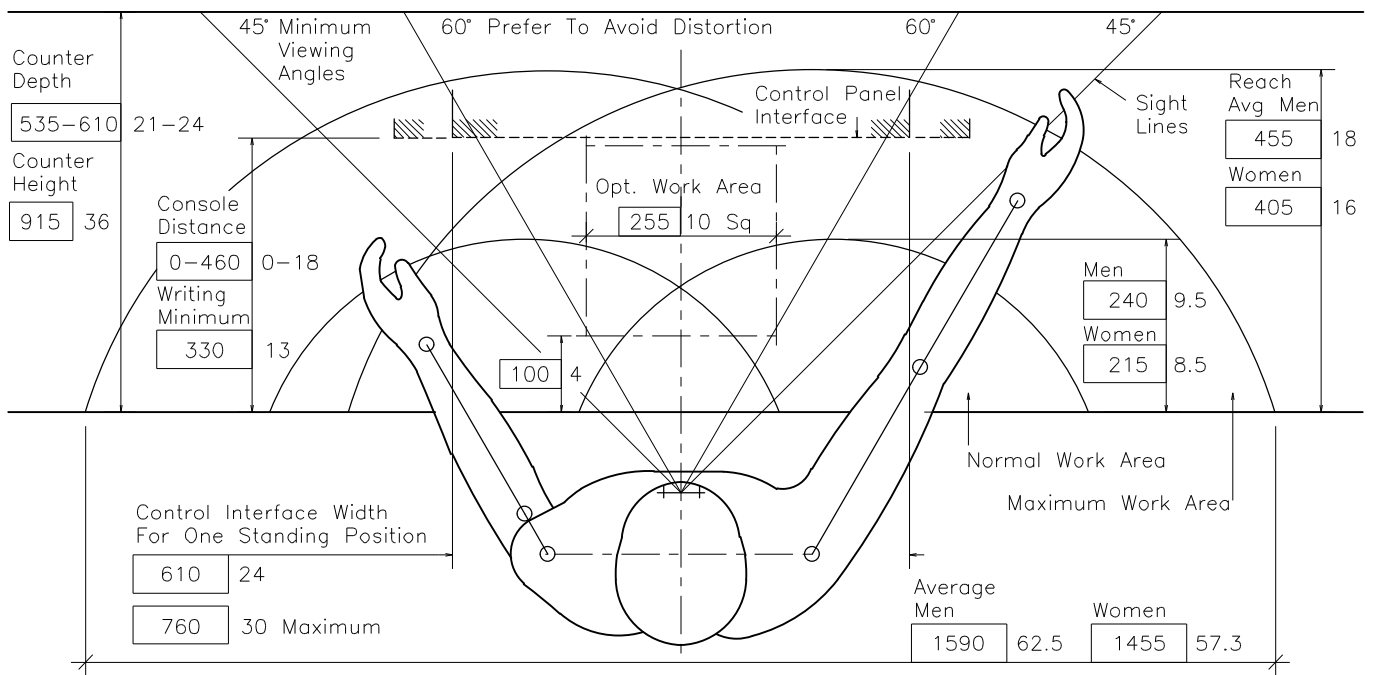
| | | |
|------|------|----------------------|
| 1450 | 57 | Highest Head Top |
| 1420 | 56 | Mirror Top |
| 1370 | 54 | No See Over |
| 1370 | 54 | Floor Lamp (Hi) |
| 1270 | 50 | High Shelf |
| 1195 | 47 | Avg. Eye Level |
| 1170 | 46 | High File, Front Tab |
| 1090 | 43 | See Over Hgt. |
| 1065 | 42 | Phone Dial Hgt. |
| 1015 | 40 | Floor Lamp (Lo) |
| 915 | 36 | Lunch Counter |
| 865 | 34 | High File, Top Tab |
| 790 | 31 | Sewing Table |
| 760 | 30 | Stool For 42 Counter |
| 735 | 29 | Hosp., Bed (Hi) |
| 685 | 27 | Work Table |
| 660 | 26 | Iron Board |
| 660 | 26 | Typing Table |
| 635 | 25 | Table (Min.) |
| 635 | 25 | Knee Space |
| 610 | 24 | Side Tables |
| 610 | 24 | Chair For 36 Counter |
| 455 | 18 | Coffee Table (Hi) |
| 455 | 18 | Wall Outlets |
| 455 | 18 | Bed |
| 445 | 17.5 | Work Chair |
| 400 | 15.8 | Toilet Seat |
| 380 | 15 | Seat (Min.) |
| 380 | 15 | Park Seat |
| 305 | 12 | Foot Stool (Hi) |
| 280 | 11 | Coffee Table (Lo) |
| 150 | 6 | Foot Ring 24 Chair |
| 150 | 6 | Toe Space (Max.) |
| 75 | 3 | Toe Clear. (Min.) |
| 50 | 2 | Foot Stool (Lo) |



| | | | | |
|------|------|------|------------------------------|--------------------------|
| 1905 | 75.0 | 1790 | 70.4 large = 97.5 percentile | includes 95% U.S. adults |
| 1775 | 69.8 | 1665 | 65.5 average = 50 percentile | |
| 1640 | 64.6 | 1540 | 60.6 small = 2.5 percentile | |

Dimensional notation system:

| | | |
|------|------|---|
| 1000 | 39.3 | Numbers appearing in boxes are measurements in millimeters. Numbers outside boxes are 1.0 measurements in inches. |
| 100 | 3.9 | |
| 25.4 | | |



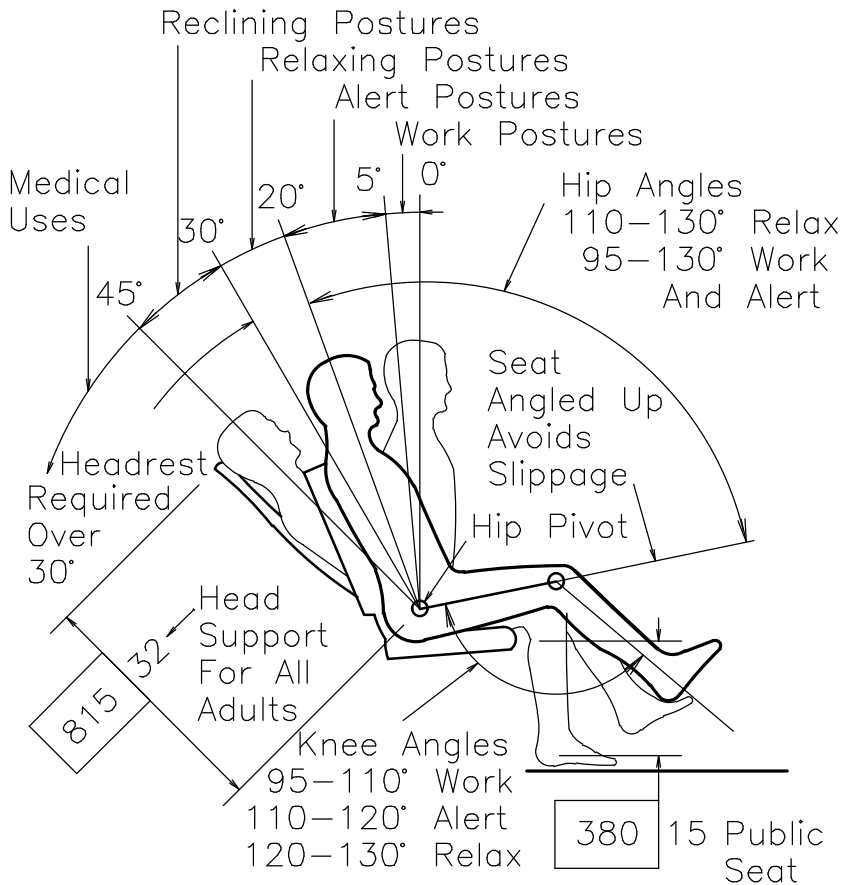
Male and female standing heights (including shoes):

| | | | | |
|------|------|------|------------------------------|----------------------------------|
| 1905 | 75.0 | 1790 | 70.4 large = 97.5 percentile | } includes 95% U.S. adults |
| 1775 | 69.8 | 1665 | 65.5 average = 50 percentile | |
| 1640 | 64.6 | 1540 | 60.6 small = 2.5 percentile | |

Dimensional notation system:

| | | |
|------|------|---|
| 1000 | 39.3 | } Numbers appearing in boxes are measurements in millimeters. Numbers outside are measurements in inches. |
| 100 | 3.9 | |
| 25.4 | 1.0 | |

SEATING ANGLES

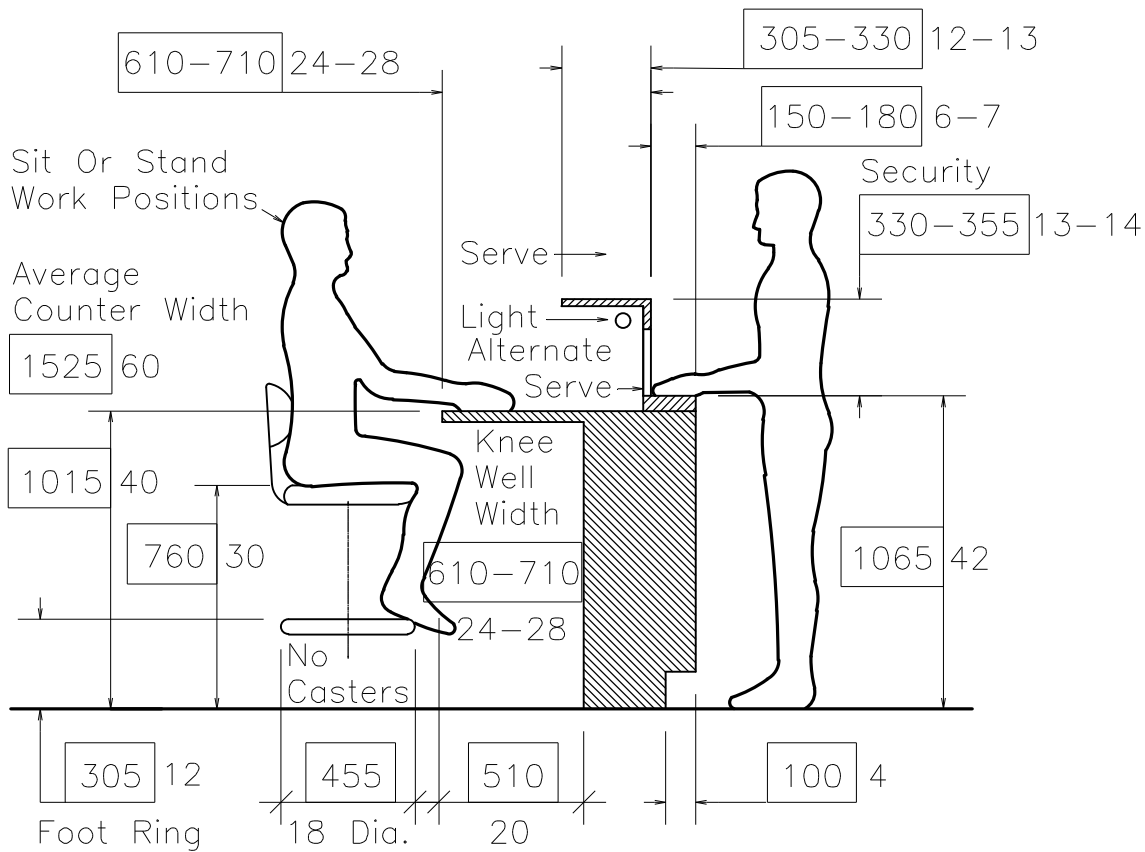


| | | |
|----------|--|--------------------------------|
| Male and | female standing heights (including shoes): | |
| 1905 | 75.0 | } |
| 1775 | 69.8 | |
| 1640 | 64.6 | |
| 1790 | 70.4 large = 97.5 percentile | includes 95% U.S. adults |
| 1665 | 65.5 average = 50 percentile | |
| 1540 | 60.6 small = 2.5 percentile | |

Dimensional notation system.

| | | | |
|------|------|---|---|
| 1000 | 39.3 | } | Numbers appearing in boxes are measurements in millimeters. Numbers outside boxes are measurements in inches. |
| 100 | 3.9 | | |
| 25.4 | 1.0 | | |

HIGH WORK SEATS (BANK AND TICKET COUNTERS)



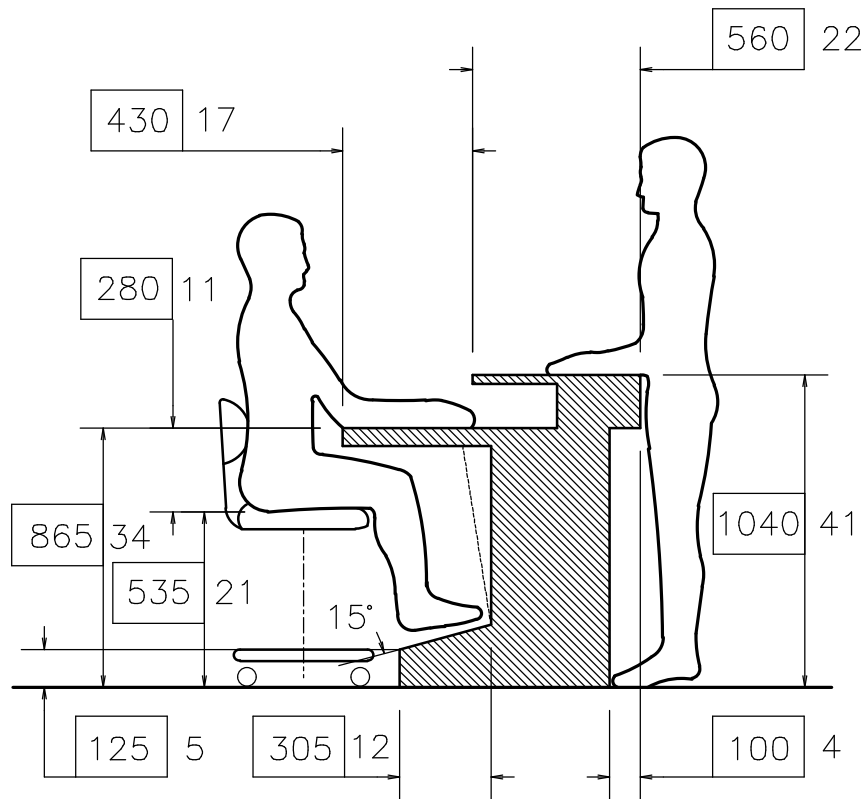
Male and female standing heights (including shoes):

| | | | | | |
|------|------|------|------------------------------|---|--------------------------------|
| 1905 | 75.0 | 1790 | 70.4 large = 97.5 percentile | } | includes 95% U.S. adults |
| 1775 | 69.8 | 1665 | 65.5 average = 50 percentile | | |
| 1640 | 64.6 | 1540 | 60.6 small = 2.5 percentile | | |

Dimensional notation system:

| | | | |
|------|------|---|---|
| 1000 | 39.3 | } | Numbers appearing in boxes are measurements in millimeters. Numbers outside boxes are measurements in inches. |
| 100 | 3.9 | | |
| 25.4 | 1.0 | | |

MEDIUM HIGH WORK SEATS
(POST OFFICE COUNTER)



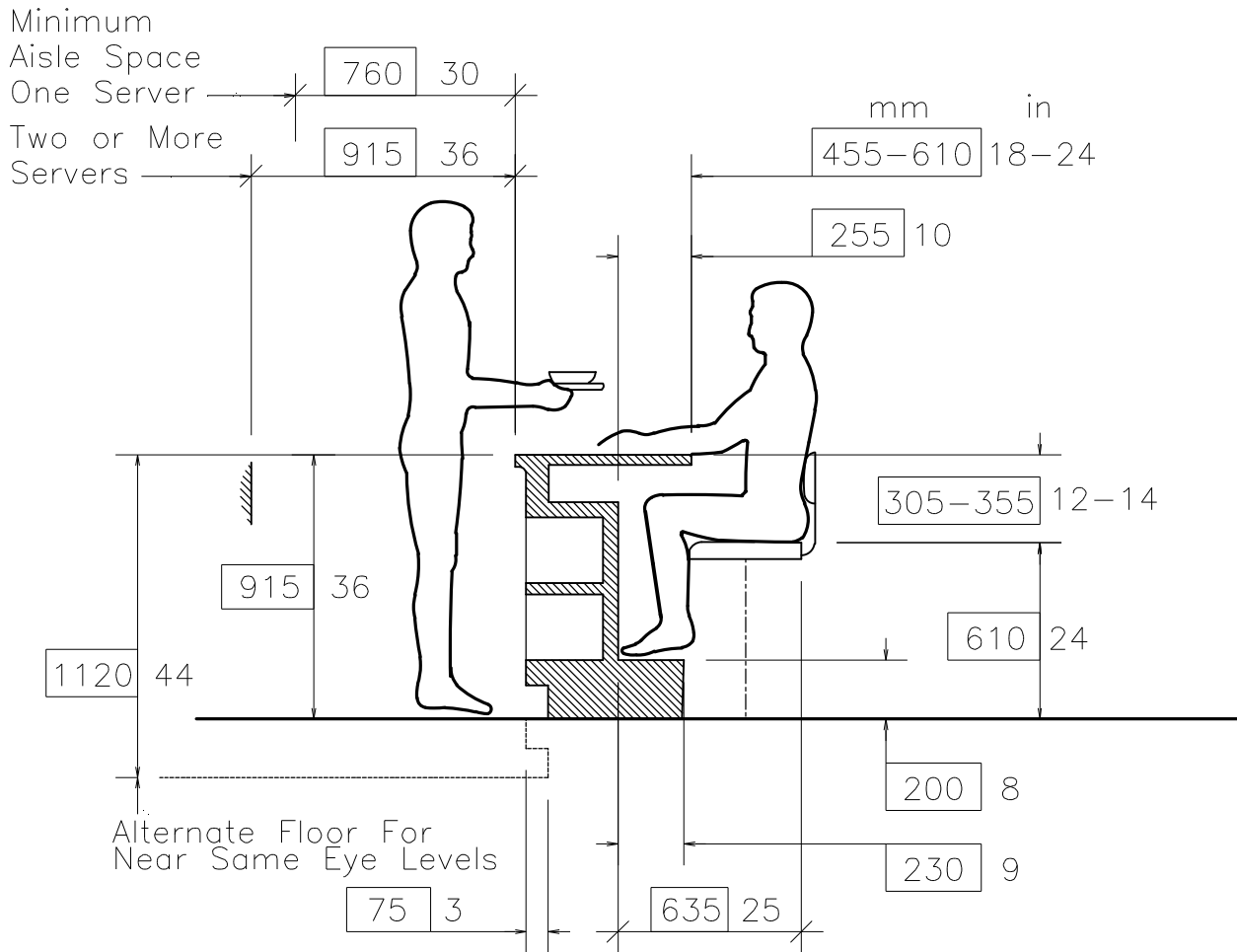
Male and female standing heights (including shoes):

| | | | | |
|------|------|------|------------------------------|----------------------------------|
| 1905 | 75.0 | 1790 | 70.4 large = 97.5 percentile | } includes 95% U.S. adults |
| 1775 | 69.8 | 1665 | 65.5 average = 50 percentile | |
| 1640 | 64.6 | 1540 | 60.6 small = 2.5 percentile | |

Dimensional notation system:

| | | |
|------|------|---|
| 1000 | 39.3 | } Numbers appearing in boxes are measurements in millimeters. Numbers outside boxes are measurements in inches. |
| 100 | 3.9 | |
| 25.4 | 1.0 | |

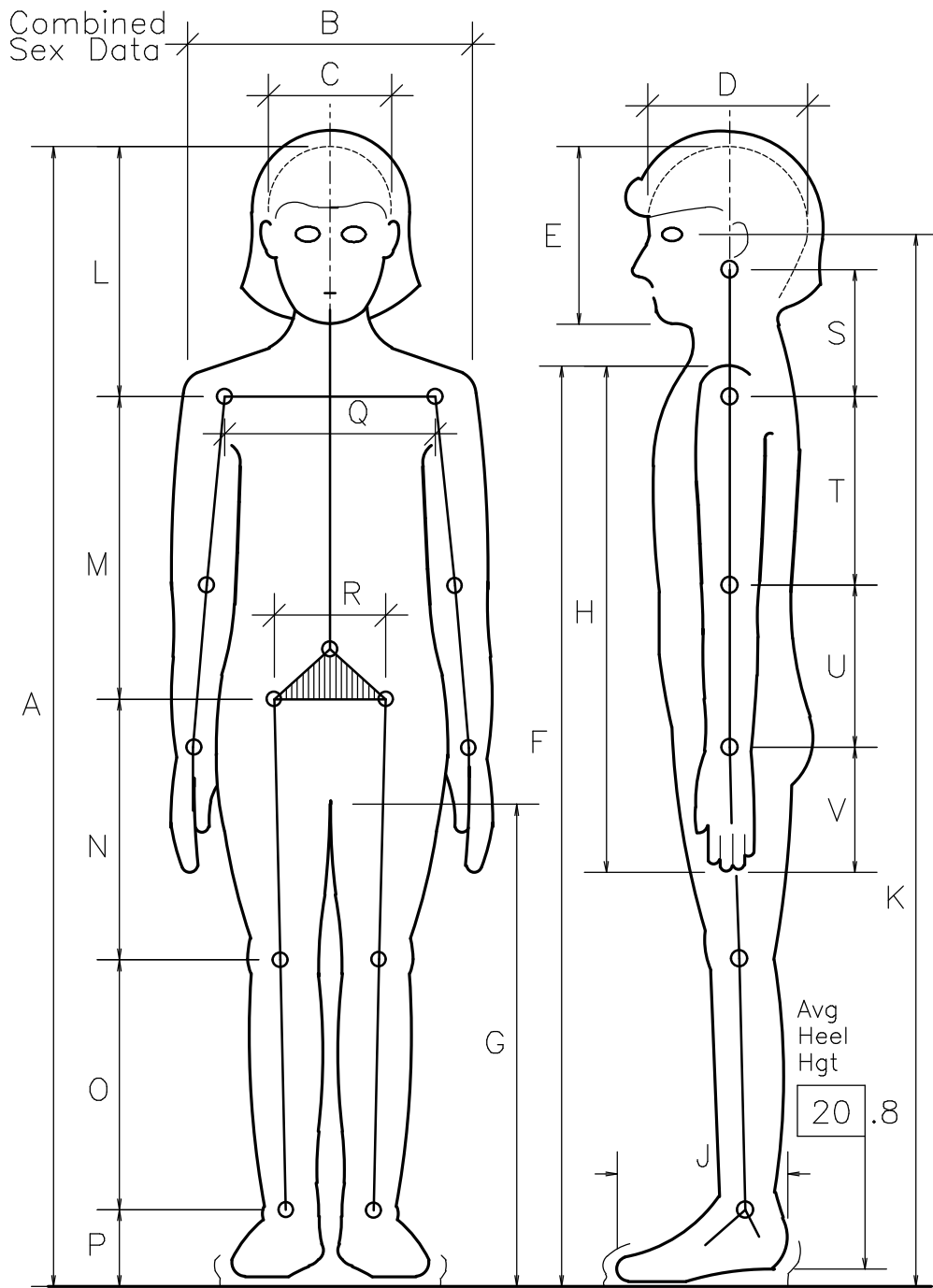
SERVING AT A COUNTER (FOOD COUNTER)



| | | | |
|----------|--------|-------------------------------------|------------------------------|
| Male and | female | standing heights (including shoes): | |
| 1905 | 75.0 | 1790 | 70.4 large = 97.5 percentile |
| 1775 | 69.8 | 1665 | 65.5 average = 50 percentile |
| 1640 | 64.6 | 1540 | 60.6 small = 2.5 percentile |
| | | | } includes 95% U.S. adults |

Dimensional notation system:

| | | |
|------|------|---|
| 1000 | 39.3 | } Numbers appearing in boxes are measurements in millimeters. Numbers outside boxes are measurements in inches. |
| 100 | 3.9 | |
| 25.4 | 1.0 | |



Standing heights (including shoes) – typical example:

| | | | |
|------|--|---|-------------------------------------|
| 1800 | 70.8 large 15 year youth = 97.5 percentile | } | combined sex data U.S. youths |
| 1675 | 65.9 average 15 year youth = 50 percentile | | |
| 1545 | 60.8 small 15 year youth = 2.5 percentile | | |

Dimensional notation system:

| | | |
|------|---|---|
| 1000 | } | Numbers appearing in boxes are measurements in millimeters. Numbers outside boxes are measurements in inches. |
| 100 | | |
| 25.4 | | |

| Ages Years | Standing Height A | | Shoulder Width B | | Head Width C | | Head Length D | | Head Height E | | Shoulder Height F | | Crotch Height G | | Arm Length H | | Foot Length J | | Eye Level K | | Weight Kg Lb | |
|------------------|----------------------|----------|---------------------|------|-----------------|-----|------------------|-----|------------------|-----|----------------------|------|--------------------|------|-----------------|------|------------------|------|----------------|------|-----------------|------|
| | Large → | Avg → | Small → | | | | | | | | | | | | | | | | | | | |
| 15 | 1800 | 70.8 | 465 | 18.2 | 155 | 6.2 | 200 | 7.9 | 225 | 8.8 | 1460 | 57.5 | 860 | 33.9 | 790 | 31.1 | 270 | 10.6 | 1685 | 66.4 | 76.5 | 169 |
| | 1675 | 65.9 | 420 | 16.5 | 145 | 5.8 | 190 | 7.4 | 220 | 8.6 | 1370 | 54.0 | 790 | 31.1 | 735 | 28.9 | 250 | 9.9 | 1565 | 61.7 | 69.0 | 152 |
| | 1545 | 60.8 | 375 | 14.8 | 140 | 5.5 | 185 | 7.2 | 215 | 8.4 | 1260 | 49.6 | 730 | 28.7 | 685 | 26.9 | 230 | 9.1 | 1445 | 56.8 | 62.0 | 137 |
| 12 | 1625 | 63.9 | 395 | 15.6 | 155 | 6.1 | 200 | 7.9 | 215 | 8.5 | 1325 | 52.2 | 810 | 31.9 | 710 | 28.0 | 240 | 9.5 | 1520 | 59.9 | 51.5 | 114 |
| | 1485 | 58.5 | 350 | 13.7 | 145 | 5.7 | 185 | 7.3 | 215 | 8.4 | 1205 | 47.5 | 730 | 28.7 | 660 | 25.9 | 220 | 8.6 | 1385 | 54.5 | 37.0 | 82 |
| | 1350 | 53.2 | 300 | 11.9 | 135 | 5.3 | 170 | 6.8 | 210 | 8.2 | 1080 | 42.5 | 645 | 25.4 | 600 | 23.7 | 195 | 7.6 | 1250 | 49.2 | 23.5 | 52 |
| 9 | 1440 | 56.6 | 350 | 13.8 | 150 | 6.0 | 200 | 7.8 | 210 | 8.3 | 1165 | 45.8 | 705 | 27.7 | 640 | 25.1 | 220 | 8.6 | 1335 | 52.6 | 36.5 | 81 |
| | 1320 | 52.0 | 310 | 12.1 | 140 | 5.6 | 185 | 7.3 | 205 | 8.1 | 1065 | 42.0 | 630 | 24.9 | 585 | 23.1 | 200 | 7.8 | 1220 | 48.0 | 27.0 | 59 |
| | 1200 | 47.3 | 265 | 10.5 | 130 | 5.2 | 170 | 6.7 | 205 | 8.0 | 960 | 37.7 | 560 | 22.0 | 515 | 20.3 | 175 | 6.9 | 1100 | 43.3 | 17.0 | 38 |
| 7 | 1315 | 51.8 | 320 | 12.6 | 150 | 5.9 | 195 | 7.7 | 205 | 8.1 | 1060 | 41.8 | 630 | 24.7 | 585 | 23.1 | 200 | 7.9 | 1215 | 47.8 | 28.0 | 62 |
| | 1220 | 48.0 | 285 | 11.3 | 140 | 5.5 | 180 | 7.1 | 205 | 8.0 | 970 | 38.2 | 565 | 22.3 | 525 | 20.7 | 180 | 7.1 | 1120 | 44.0 | 22.0 | 49 |
| | 1125 | 44.2 | 250 | 9.9 | 130 | 5.1 | 165 | 6.5 | 200 | 7.8 | 890 | 35.1 | 505 | 19.8 | 470 | 18.6 | 160 | 6.3 | 1025 | 40.3 | 16.5 | 36 |
| 5 | 1185 | 46.7 | 290 | 11.5 | 145 | 5.8 | 195 | 7.6 | 200 | 7.9 | 945 | 37.3 | 545 | 21.5 | 515 | 20.3 | 181 | 7.1 | 1085 | 42.8 | 22.0 | 49 |
| | 1090 | 43.0 | 260 | 10.3 | 135 | 5.4 | 180 | 7.0 | 195 | 7.7 | 865 | 34.1 | 490 | 19.3 | 460 | 18.2 | 161 | 6.3 | 995 | 39.1 | 18.0 | 39 |
| | 995 | 39.1 | 230 | 9.1 | 125 | 5.0 | 165 | 6.5 | 190 | 7.5 | 780 | 30.7 | 430 | 17.0 | 415 | 16.3 | 141 | 5.6 | 890 | 35.0 | 13.5 | 29.5 |
| Without Birth | 930 | 36.7 | 240 | 9.5 | 135 | 5.2 | 175 | 6.9 | 195 | 7.7 | 735 | 28.9 | 375 | 14.7 | 415 | 16.4 | 141 | 5.6 | 835 | 32.8 | 13.0 | 29 |
| | 725 | 28.6 | 205 | 8.0 | 125 | 4.9 | 160 | 6.3 | 175 | 6.9 | 565 | 22.2 | 245 | 9.6 | 305 | 12.0 | 110 | 4.3 | 640 | 25.1 | 9.0 | 20 |
| | 505 | 19.9 | 150 | 6.0 | 95 | 3.8 | 100 | 4.0 | 125 | 5.0 | 375 | 14.9 | 170 | 6.6 | 195 | 7.6 | 80 | 3.1 | 440 | 17.4 | 3.5 | 7.5 |

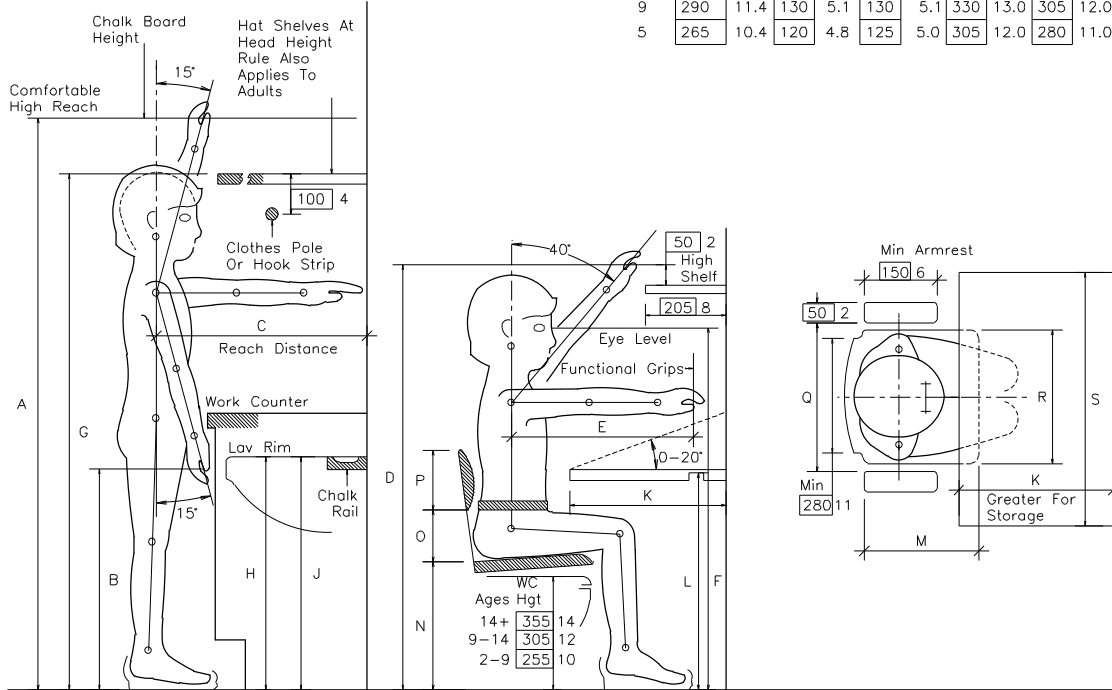
| | L | | M | | N | | O | | P | | Q | | R | | S | | T | | U | | V | |
|----|-----|------|-----|------|-----|------|-----|------|-----|-----|-----|------|-----|-----|-----|-----|-----|------|-----|------|-----|-----|
| 15 | 370 | 14.6 | 465 | 18.3 | 430 | 17.0 | 420 | 16.6 | 115 | 4.4 | 355 | 14.0 | 190 | 7.4 | 185 | 7.3 | 285 | 11.3 | 255 | 10.1 | 195 | 7.6 |
| | 350 | 13.8 | 430 | 17.0 | 400 | 15.7 | 390 | 15.3 | 105 | 4.1 | 325 | 12.7 | 175 | 6.9 | 175 | 6.9 | 270 | 10.6 | 240 | 9.4 | 180 | 7.0 |
| | 330 | 13.0 | 405 | 15.9 | 360 | 14.2 | 350 | 13.8 | 100 | 3.9 | 290 | 11.5 | 160 | 6.2 | 165 | 6.5 | 250 | 9.9 | 220 | 8.7 | 165 | 6.5 |
| 12 | 345 | 13.5 | 420 | 16.7 | 385 | 15.1 | 375 | 14.7 | 100 | 3.9 | 320 | 12.5 | 170 | 6.7 | 170 | 6.8 | 260 | 10.3 | 230 | 9.1 | 175 | 6.8 |
| | 320 | 12.6 | 390 | 15.3 | 345 | 13.6 | 335 | 13.2 | 95 | 3.8 | 280 | 11.1 | 150 | 6.0 | 160 | 6.3 | 245 | 9.6 | 215 | 8.5 | 160 | 6.2 |
| | 295 | 11.7 | 360 | 14.1 | 305 | 12.1 | 300 | 11.8 | 90 | 3.5 | 250 | 9.8 | 130 | 5.2 | 150 | 5.9 | 225 | 8.9 | 195 | 7.6 | 145 | 5.8 |
| 9 | 310 | 12.3 | 375 | 14.8 | 335 | 13.0 | 325 | 12.8 | 95 | 3.7 | 270 | 10.6 | 145 | 5.7 | 160 | 6.2 | 240 | 9.4 | 210 | 8.2 | 150 | 6.0 |
| | 290 | 11.4 | 350 | 13.8 | 300 | 11.9 | 290 | 11.4 | 90 | 3.5 | 245 | 9.6 | 130 | 5.1 | 145 | 5.8 | 220 | 8.6 | 190 | 7.4 | 140 | 5.7 |
| | 275 | 10.8 | 320 | 12.7 | 265 | 10.4 | 255 | 10.1 | 85 | 3.3 | 220 | 8.6 | 110 | 4.4 | 135 | 5.4 | 195 | 7.7 | 160 | 6.3 | 130 | 5.1 |
| 7 | 290 | 11.4 | 345 | 13.7 | 300 | 11.8 | 290 | 11.4 | 90 | 3.5 | 245 | 9.6 | 130 | 5.1 | 145 | 5.8 | 220 | 8.6 | 190 | 7.4 | 140 | 5.7 |
| | 280 | 11.0 | 325 | 12.8 | 270 | 10.6 | 260 | 10.3 | 85 | 3.3 | 220 | 8.7 | 115 | 4.5 | 140 | 5.5 | 200 | 7.8 | 165 | 6.5 | 130 | 5.2 |
| | 260 | 10.2 | 305 | 12.0 | 245 | 9.6 | 235 | 9.3 | 80 | 3.1 | 210 | 8.2 | 100 | 3.9 | 130 | 5.1 | 175 | 6.9 | 150 | 5.8 | 120 | 4.8 |
| 5 | 270 | 10.7 | 315 | 12.4 | 260 | 10.3 | 255 | 10.0 | 85 | 3.3 | 215 | 8.4 | 105 | 4.2 | 135 | 5.3 | 190 | 7.6 | 160 | 6.3 | 130 | 5.1 |
| | 255 | 10.0 | 300 | 11.8 | 235 | 9.3 | 220 | 8.8 | 80 | 3.1 | 200 | 7.8 | 90 | 3.6 | 125 | 4.9 | 170 | 6.7 | 145 | 5.7 | 120 | 4.7 |
| | 240 | 9.4 | 280 | 11.0 | 210 | 8.2 | 195 | 7.7 | 70 | 2.8 | 185 | 7.2 | 80 | 3.1 | 120 | 4.7 | 145 | 5.7 | 130 | 5.1 | 115 | 4.5 |

| Ages | High Reach A | Low Reach B | Reach Distance C | High Reach D | Reach Radius E | Eye Level F | | | | | | |
|-----------|--------------|-------------|------------------|--------------|----------------|-------------|------|------|-----|------|------|------|
| HS 15 | 2085 | 82.0 | 815 | 32.0 | 735 | 29.0 | 1440 | 56.7 | 660 | 25.9 | 1215 | 47.8 |
| | 1915 | 75.3 | 730 | 28.7 | 685 | 27.0 | 1375 | 54.1 | 610 | 24.1 | 1160 | 45.6 |
| | 1765 | 69.4 | 665 | 26.2 | 635 | 25.1 | 1315 | 51.7 | 670 | 22.4 | 1100 | 43.3 |
| Jr. HS 12 | 1860 | 73.2 | 705 | 27.6 | 665 | 26.2 | 1320 | 52.0 | 600 | 23.6 | 1100 | 43.3 |
| | 1705 | 67.1 | 630 | 24.7 | 620 | 24.3 | 1250 | 49.2 | 555 | 21.9 | 1040 | 41.0 |
| | 1545 | 60.9 | 560 | 22.1 | 565 | 22.3 | 1185 | 46.6 | 510 | 20.1 | 990 | 38.9 |
| 4th 9 | 1645 | 64.8 | 605 | 23.8 | 600 | 23.6 | 1175 | 46.3 | 540 | 21.2 | 975 | 38.4 |
| | 1510 | 59.4 | 555 | 21.8 | 550 | 21.7 | 1120 | 44.0 | 495 | 19.5 | 925 | 36.5 |
| | 1345 | 53.0 | 510 | 20.0 | 485 | 19.1 | 1040 | 40.9 | 435 | 17.1 | 880 | 34.6 |
| 2nd 7 | 1505 | 59.3 | 545 | 21.5 | 550 | 21.7 | 1080 | 42.6 | 500 | 19.6 | 890 | 35.0 |
| | 1370 | 53.0 | 510 | 20.1 | 495 | 19.5 | 1015 | 40.0 | 445 | 17.5 | 850 | 33.5 |
| | 1245 | 49.0 | 485 | 19.0 | 445 | 17.5 | 960 | 37.7 | 395 | 15.6 | 815 | 32.0 |
| KDG 5 | 1330 | 52.3 | 500 | 19.7 | 480 | 19.0 | 970 | 38.1 | 430 | 16.9 | 815 | 32.1 |
| | 1210 | 47.7 | 465 | 18.3 | 435 | 17.1 | 915 | 36.1 | 385 | 15.2 | 770 | 30.4 |
| | 1085 | 42.7 | 425 | 16.7 | 390 | 15.3 | 865 | 34.1 | 345 | 13.6 | 720 | 28.4 |

Starting School Grades

| Up To Ages | Hat Shelf Height G | Lavatory Height H | Work Top J | Work Depth K | Table Height L | Seat Length M | | | | | | |
|------------|--------------------|-------------------|------------|--------------|----------------|---------------|-----|------|-----|------|-----|------|
| 15 | 1675 | 66.0 | 760 | 30.0 | 915 | 36.0 | 460 | 18.0 | 650 | 25.5 | 370 | 14.6 |
| 12 | 1485 | 58.5 | 685 | 27.0 | 795 | 31.3 | 420 | 16.5 | 590 | 23.3 | 340 | 13.3 |
| 7 | 1320 | 52.0 | 635 | 25.0 | 695 | 27.3 | 380 | 15.0 | 525 | 20.7 | 300 | 11.8 |
| 9 | 1220 | 48.0 | 585 | 23.0 | 635 | 25.0 | 355 | 14.0 | 480 | 18.9 | 275 | 10.8 |
| 5 | 1090 | 43.0 | 485 | 19.0 | 570 | 22.5 | 330 | 13.0 | 445 | 17.5 | 250 | 9.9 |

| Ages | Seat Height N | Seat To Backrest O | Min Backrest Height P | Armrest Spacing Q | Seat Width R | Basic Table Width S | | | | | | |
|------|---------------|--------------------|-----------------------|-------------------|--------------|---------------------|-----|------|-----|------|-----|------|
| 15 | 405 | 15.9 | 150 | 6.0 | 175 | 6.8 | 445 | 17.5 | 380 | 15.0 | 760 | 30.0 |
| 12 | 370 | 14.6 | 145 | 5.7 | 160 | 6.2 | 420 | 16.5 | 370 | 14.5 | 710 | 28.0 |
| 7 | 325 | 12.8 | 135 | 5.4 | 140 | 5.6 | 355 | 14.0 | 330 | 13.0 | 610 | 24.0 |
| 9 | 290 | 11.4 | 130 | 5.1 | 130 | 5.1 | 330 | 13.0 | 305 | 12.0 | 610 | 24.0 |
| 5 | 265 | 10.4 | 120 | 4.8 | 125 | 5.0 | 305 | 12.0 | 280 | 11.0 | 535 | 21.0 |

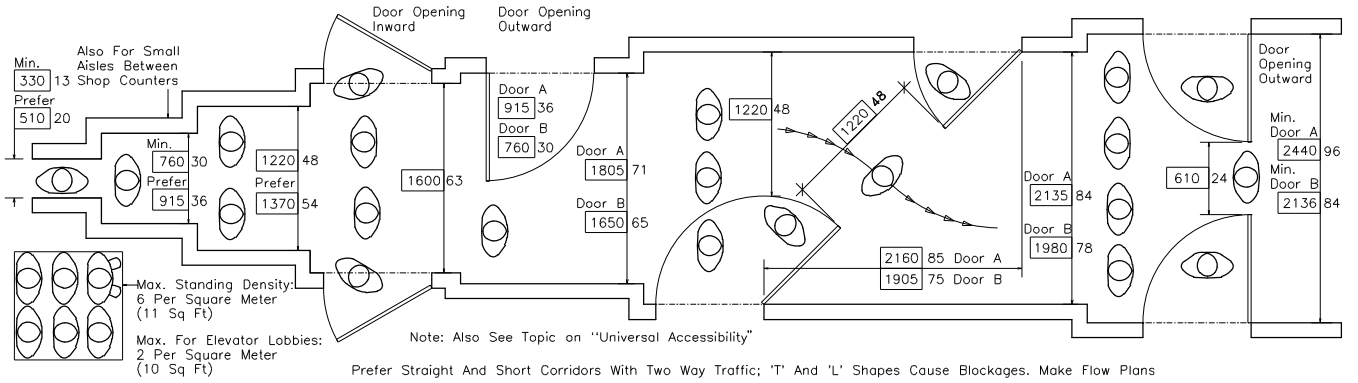


Standing heights (including shoes) – typical example:

| | | | |
|------|------|---------------------------------------|---------------------------------|
| 1800 | 70.8 | large 15 year youth = 97.5 percentile | } combined sex data U.S. youths |
| 1675 | 65.9 | average 15 year youth = 50 percentile | |
| 1545 | 60.8 | small 15 year youth = 2.5 percentile | |

Dimensional notation system:

| | | |
|------|------|---|
| 1000 | 39.3 | } Numbers appearing in boxes are measurements in millimeters. Numbers outside boxes are measurements in inches. |
| 100 | 3.9 | |
| 25.4 | 1.0 | |



| Male and | | female standing heights (including shoes): | | |
|----------|------|--|------|-------------------------|
| 1905 | 75.0 | 1790 | 70.4 | large = 97.5 percentile |
| 1775 | 69.8 | 1665 | 65.5 | average = 50 percentile |
| 1640 | 64.6 | 1540 | 60.6 | small = 2.5 percentile |

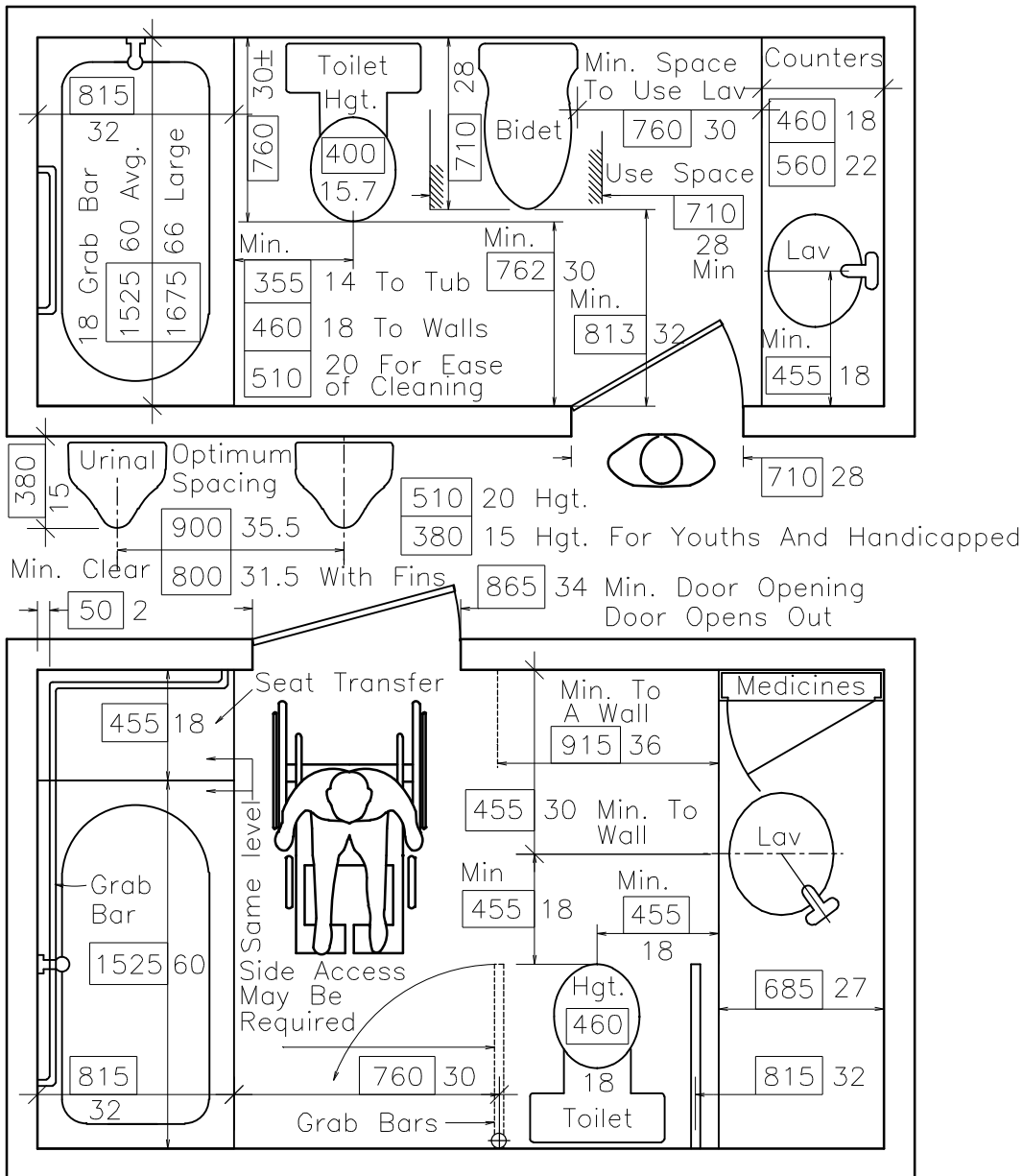
includes 95% U.S. adults

Dimensional notation system:

| | | |
|------|------|---|
| 1000 | 39.3 | Numbers appearing in boxes are measurements in millimeters. Numbers outside boxes are measurements in inches. |
| 100 | 3.9 | |
| 25.4 | 1.0 | |

English Beds: Small Single 900 x 1900; New Std. Single 1000 x 2000; Small Double 1350 x 1900; New Std. Double 1500 x 2000

BATH SPACE



Male and female standing heights (including shoes):

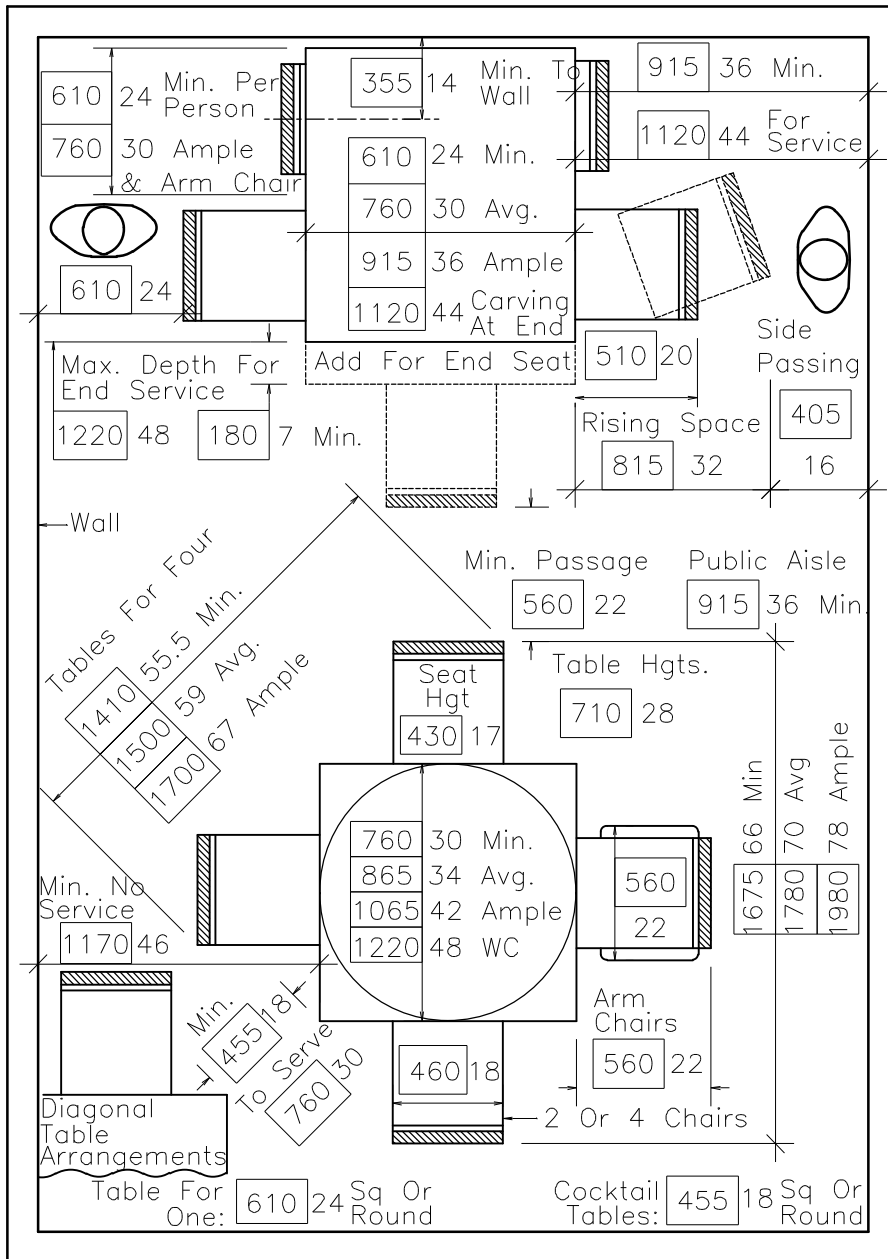
| | | | | |
|------|------|------|------------------------------|----------------------------|
| 1905 | 75.0 | 1790 | 70.4 large = 97.5 percentile | } includes 95% U.S. adults |
| 1775 | 69.8 | 1665 | 65.5 average = 50 percentile | |
| 1640 | 64.6 | 1540 | 60.6 small = 2.5 percentile | |

Dimensional notation system:

| | | |
|------|------|---|
| 1000 | 39.3 | } Numbers appearing in boxes are measurements in millimeters. Numbers outside boxes are measurements in inches. |
| 100 | 3.9 | |
| 25.4 | 1.0 | |

English Beds: Small Single 900 x 1900; New Std. Single 1000 x 2000; Small Double 1350 x 1900; New Std. Double 1500 x 2000

DINING SPACE



Male and female standing heights (including shoes):

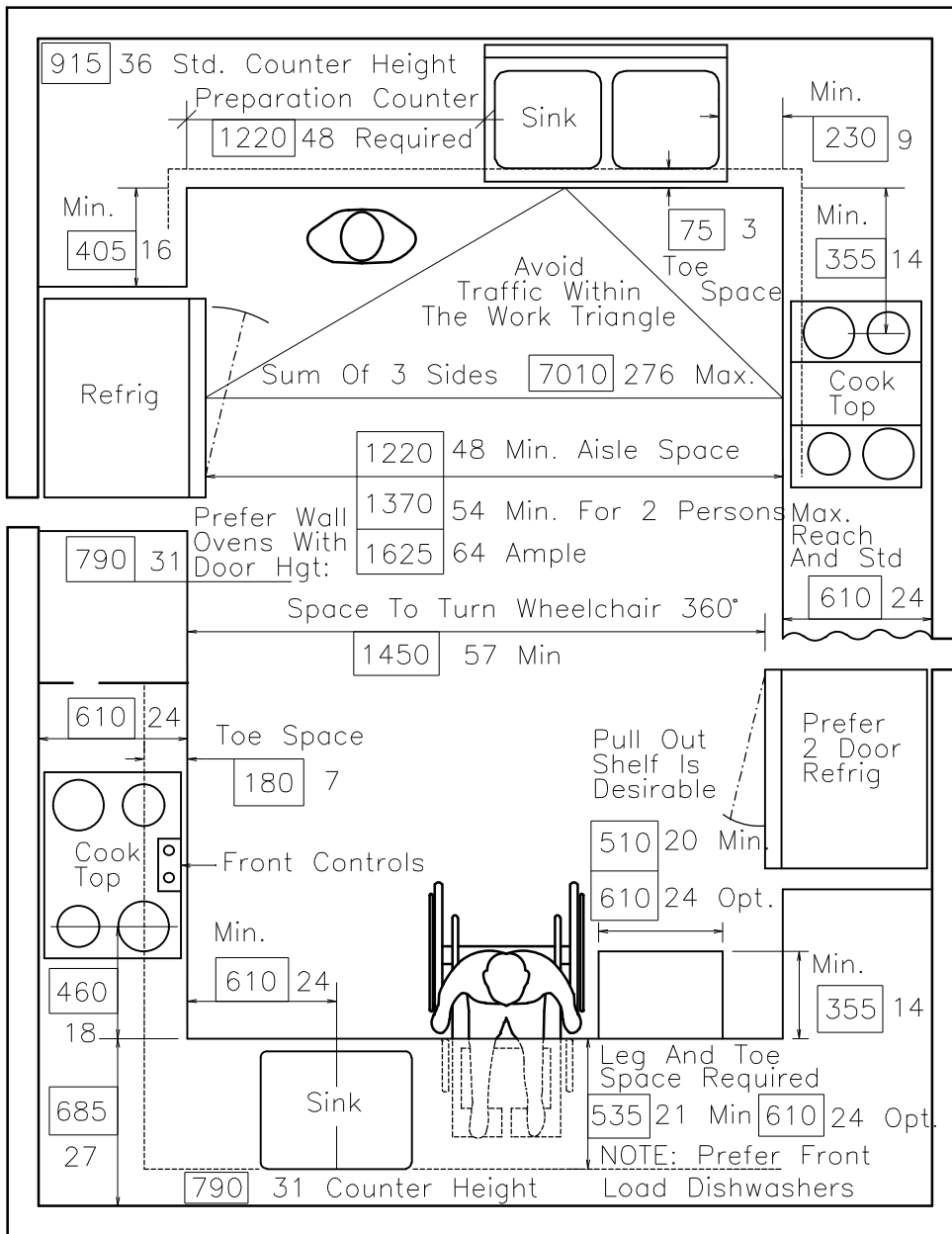
| | | | | | |
|------|------|------|------------------------------|---|--------------------------------|
| 1905 | 75.0 | 1790 | 70.4 large = 97.5 percentile | } | includes 95% U.S. adults |
| 1775 | 69.8 | 1665 | 65.5 average = 50 percentile | | |
| 1640 | 64.6 | 1540 | 60.6 small = 2.5 percentile | | |

Dimensional notation system:

| | | |
|------|---|---|
| 1000 | } | Numbers appearing in boxes are measurements in millimeters. Numbers outside boxes are measurements in inches. |
| 100 | | |
| 25.4 | | |

English Beds: Small Single 900 x 1900; New Std. Single 1000 x 2000;
Small Double 1350 x 1900; New Std. Double 1500 x 2000

KITCHEN WORK SPACE



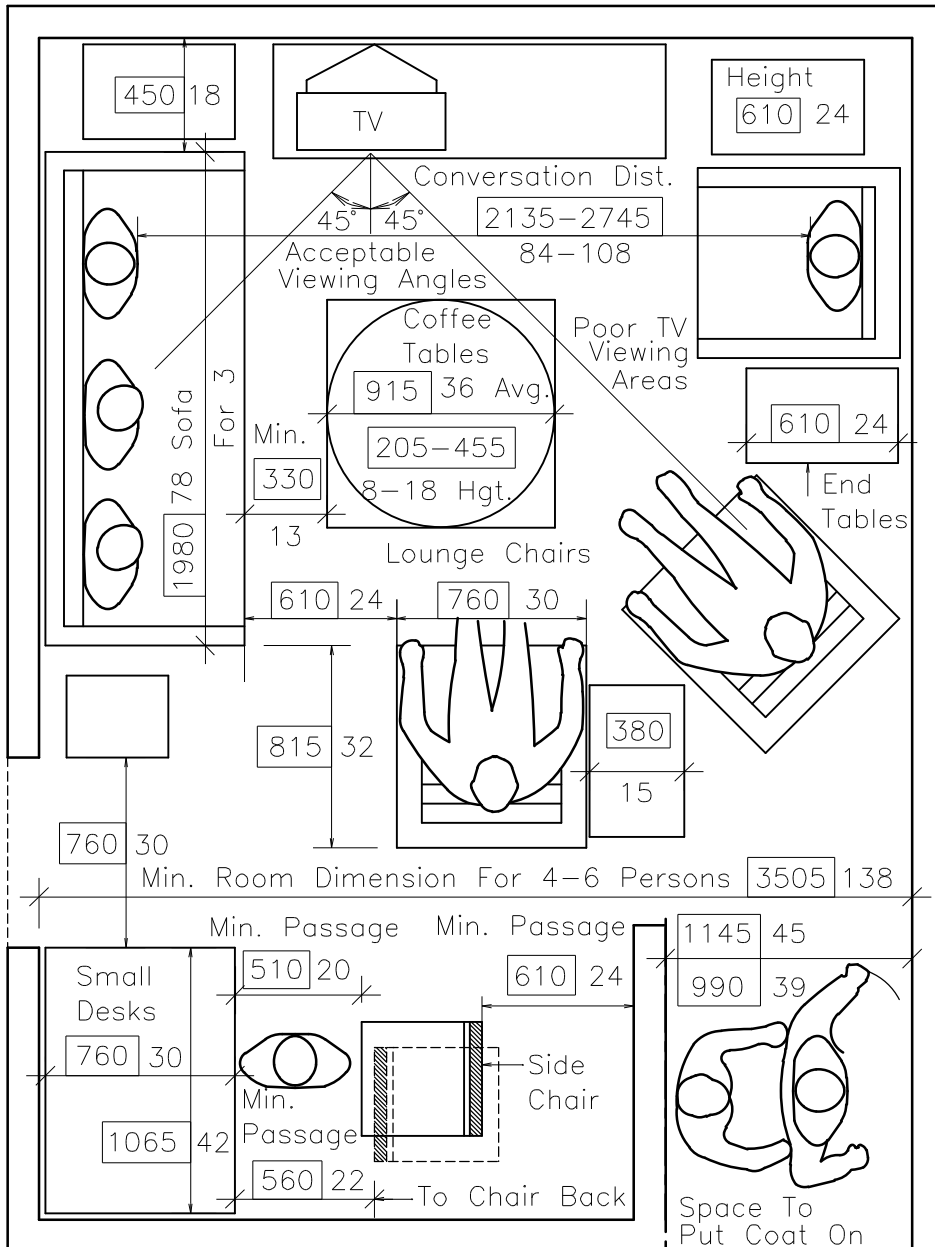
| | | | |
|----------|--------|-------------------------------------|------------------------------|
| Male and | female | standing heights (including shoes): | |
| 1905 | 75.0 | 1790 | 70.4 large = 97.5 percentile |
| 1775 | 69.8 | 1665 | 65.5 average = 50 percentile |
| 1640 | 64.6 | 1540 | 60.6 small = 2.5 percentile |
| | | | includes 95% U.S. adults |

Dimensional notation system:

| | | |
|------|------|---|
| 1000 | 39.3 | } Numbers appearing in boxes are measurements in millimeters. Numbers outside boxes are measurements in inches. |
| 100 | 3.9 | |
| 25.4 | 1.0 | |

English Beds: Small Single 900 x 1900; New Std. Single 1000 x 2000; Small Double 1350 x 1900; New Std. Double 1500 x 2000

LIVING SPACE



Male and female standing heights (including shoes):

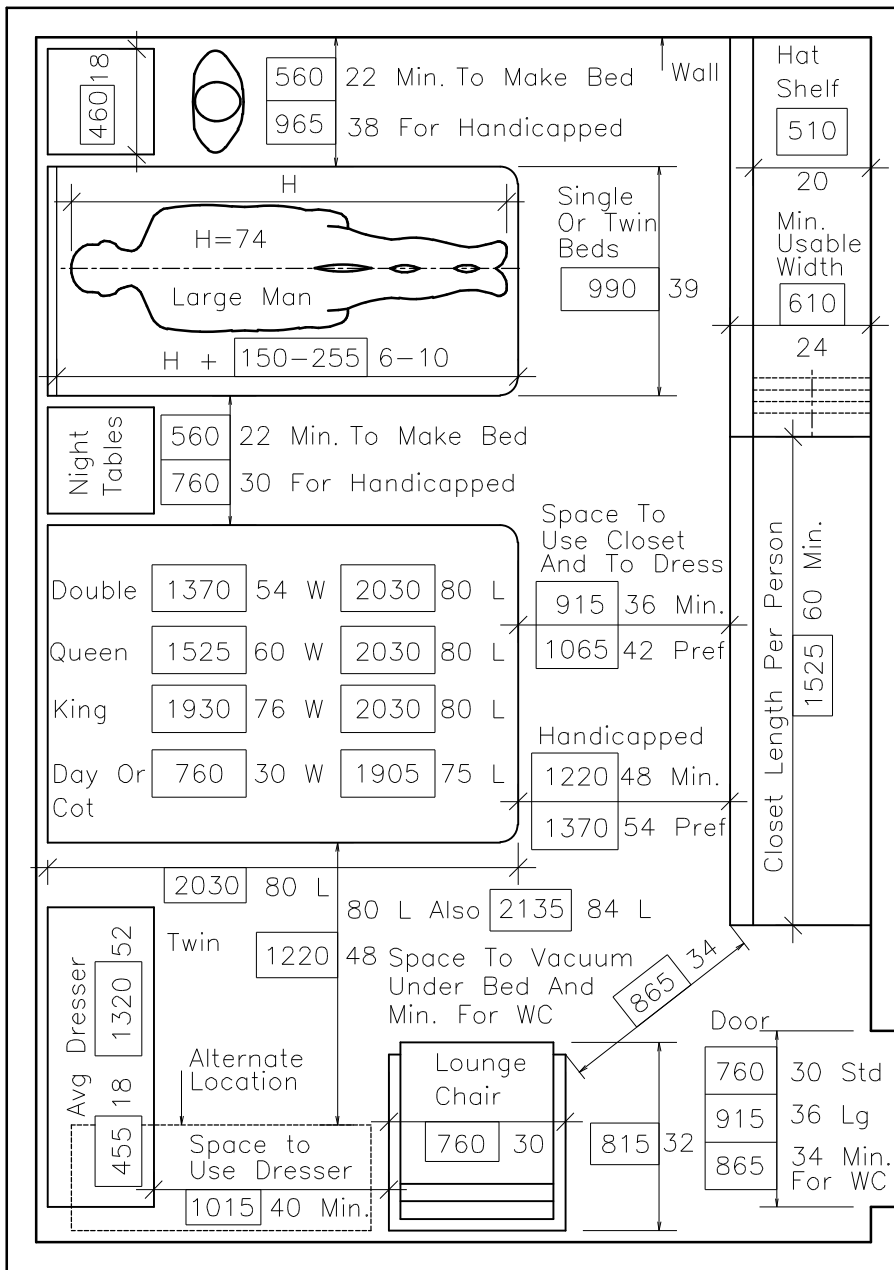
| | | | | |
|------|------|------|------------------------------|----------------------------|
| 1905 | 75.0 | 1790 | 70.4 large = 97.5 percentile | } includes 95% U.S. adults |
| 1775 | 69.8 | 1665 | 65.5 average = 50 percentile | |
| 1640 | 64.6 | 1540 | 60.6 small = 2.5 percentile | |

Dimensional notation system:

| | | |
|------|------|---|
| 1000 | 39.3 | } Numbers appearing in boxes are measurements in millimeters. Numbers outside boxes are measurements in inches. |
| 100 | 3.9 | |
| 25.4 | 1.0 | |

English Beds: Small Single 900 x 1900; New Std. Single 1000 x 2000; Small Double 1350 x 1900; New Std. Double 1500 x 2000

SLEEPING SPACE



Male and female standing heights (including shoes):

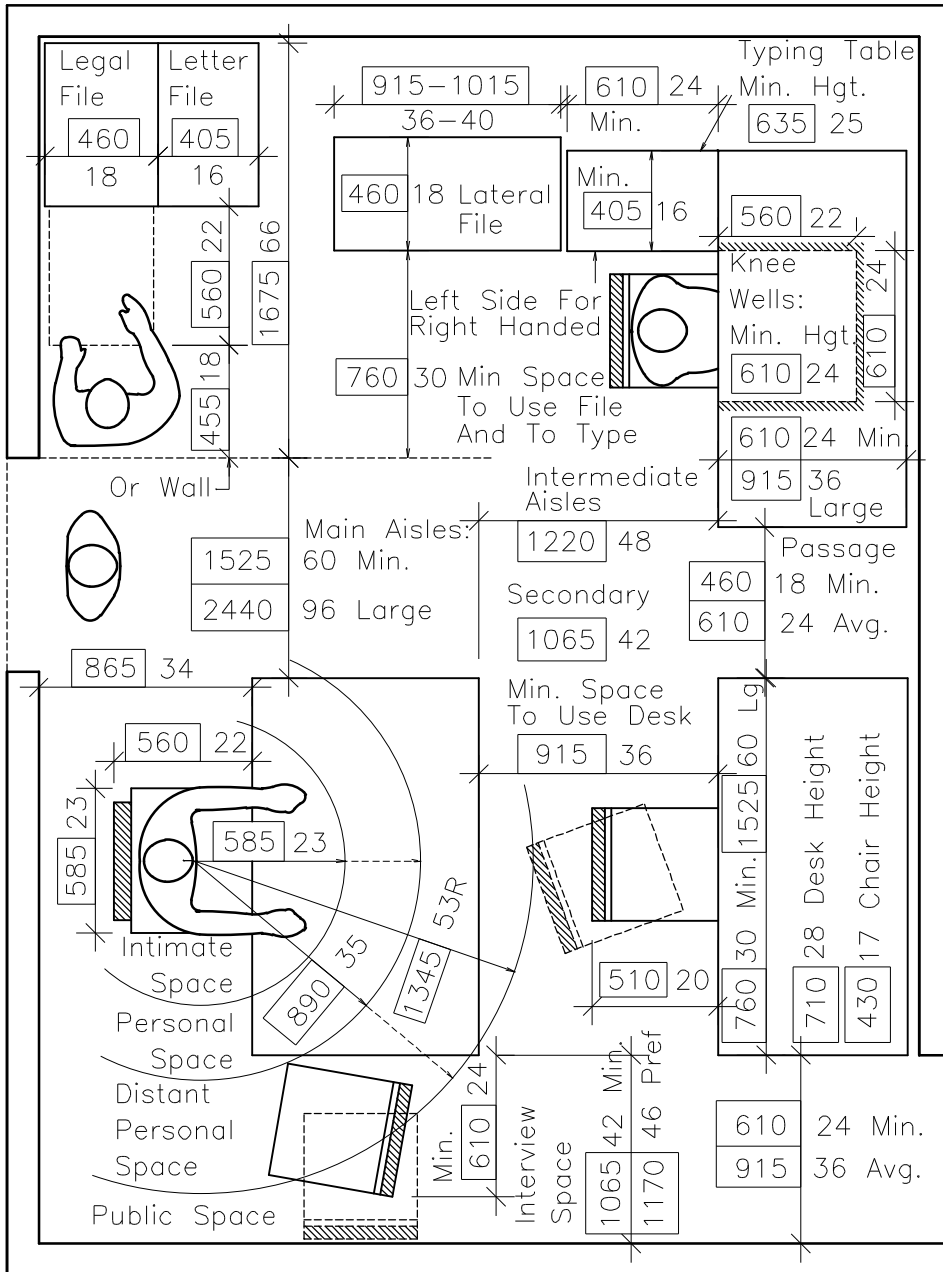
| | | | | |
|------|------|------|------------------------------|----------------------------------|
| 1905 | 75.0 | 1790 | 70.4 large = 97.5 percentile | } includes 95% U.S. adults |
| 1775 | 69.8 | 1665 | 65.5 average = 50 percentile | |
| 1640 | 64.6 | 1540 | 60.6 small = 2.5 percentile | |

Dimensional notation system:

| | | |
|------|------|---|
| 1000 | 39.3 | } Numbers appearing in boxes are measurements in millimeters. Numbers outside boxes are measurements in inches. |
| 100 | 3.9 | |
| 25.4 | 1.0 | |

English Beds: Small Single 900 x 1900; New Std. Single 1000 x 2000;
Small Double 1350 x 1900; New Std. Double 1500 x 2000

OFFICE SPACE



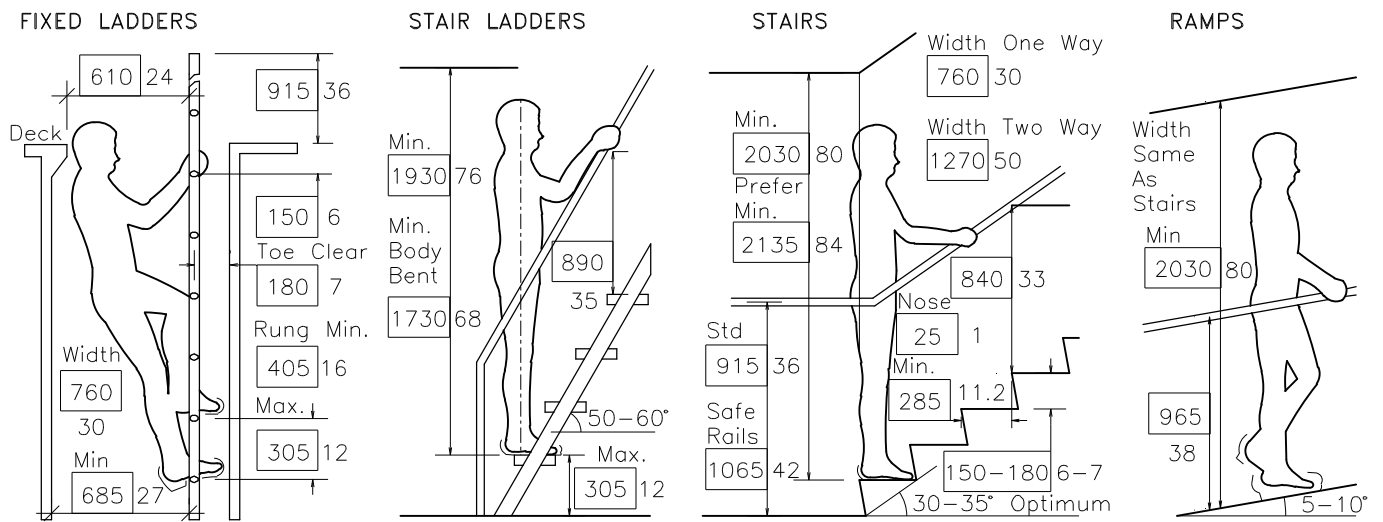
Male and female standing heights (including shoes):

| | | | | |
|------|------|------|------------------------------|----------------------------|
| 1905 | 75.0 | 1790 | 70.4 large = 97.5 percentile | } includes 95% U.S. adults |
| 1775 | 69.8 | 1665 | 65.5 average = 50 percentile | |
| 1640 | 64.6 | 1540 | 60.6 small = 2.5 percentile | |

Dimensional notation system:

| | | |
|------|------|---|
| 1000 | 39.3 | } Numbers appearing in boxes are measurements in millimeters. Numbers outside boxes are measurements in inches. |
| 100 | 3.9 | |
| 25.4 | 1.0 | |

English Beds: Small Single 900 x 1900; New Std. Single 1000 x 2000; Small Double 1350 x 1900; New Std. Double 1500 x 2000



Male and female standing heights (including shoes):

| | | | | |
|------|------|------|------------------------------|----------------------------|
| 1905 | 75.0 | 1790 | 70.4 large = 97.5 percentile | } includes 95% U.S. adults |
| 1775 | 69.8 | 1665 | 65.5 average = 50 percentile | |
| 1640 | 64.6 | 1540 | 60.6 small = 2.5 percentile | |

Dimensional notation system:

| | | |
|------|------|---|
| 1000 | 39.3 | } Numbers appearing in boxes are measurements in millimeters. Numbers outside boxes are measurements in inches. |
| 100 | 3.9 | |
| 25.4 | 1.0 | |